



WOOD-BURNING AND
ELECTRICAL SAUNA HEATERS 2016

For enjoyable moments



Made by **NARVI** Finland

Born in Finland.

Narvi heaters are authentic Finnish sauna heaters. The versatile Narvi heater range provides green, efficient and stylish products to enjoy the everyday pleasures of the sauna. All Narvi heaters have been designed and made in Finland and bear the quality marking of a key flag. Let Narvi products introduce you to the secret pleasures of the sauna.

www.narvi.fi/en



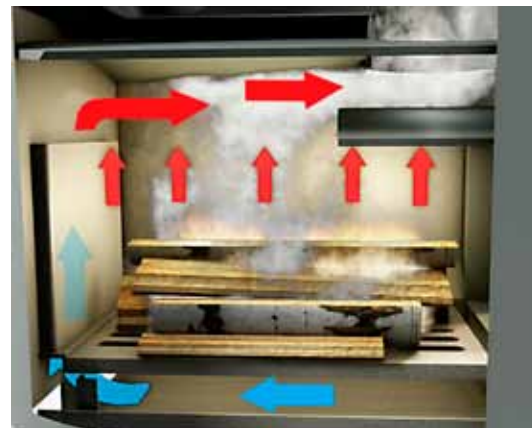


More environment-friendly Narvi

Narvi's wood-burning sauna heater collection consists several options. We provide solutions for large and small sauna rooms. Special attention has been paid to the most ecofriendly combustion technology in all our heaters, which complies with the emission requirements for CE marking.

The casing of the NC sauna heaters is made of aluminium galvanised steel finished with graphite-grey paint. The NC 16 and NC 20 sauna heaters are also available with a casing made of stainless steel.

Thanks to proper air diversion and combustion technology, the emissions of the eco-friendly Narvi sauna heaters are verifiably smaller and remain within the compulsory limit values required for CE marking. Innovative technical solutions allow cleaner and more efficient burning of firewood.



The wood burns cleaner thanks to the latest technology.

Eco-friendly Narvi heaters feature a unique double piping system.



Wood-burning sauna heaters



Narvi NC

p. 6



Narvi NC VS

p. 7



Narvi Stony

p. 8



Narvi Velvet

p. 9



Narvi Steam Master

p. 10



Narvi 30/50

p. 11

Narvi NC

I6 / 20 / 24

Thanks to the timeless design, Narvi NC heaters are suitable both for traditional and modern saunas. The sturdy structure and an ample amount of stones ensure pleasantly even steam distribution. Despite its impressive size, only a small quantity of firewood is needed to heat up this heater. The heaters are CE marked and have been tested in Finland.

The casing of the heater is made of aluminium galvanised steel finished with graphite-grey paint. The NC 16 and NC 20 sauna heaters are also available with a casing made of brushed stainless steel. On top of this, the painted graphite grey general NC 20 model is available with a 23-litre water tank.

The glazed hatch makes it easy to keep the flames and the burning even. At the same time, a cosy atmosphere is created in the sauna room. A durable cast iron latch and wooden handles improve user convenience.

» The sauna heater is available in three different sizes: NC I6, 20 and 24 and NC 20 VS (with water tank).

» The massive 10 mm thick firebox cover makes the heater safe and prolongs its service time.

» Wooden handles are pleasantly cool during use.

» The heaters' safety clearances are the lowest on the market.



Best-selling

Narvi NC I6 – the most eco-friendly sauna heater in the world!



Stainless steel casing



Also available with a water tank!

The graphite grey NC 20 is also available with a 23-litre water storage tank. The tank is either on the left or right side of the heater. Water is conveniently heated while the heater burns.

Sturdy structure

The sturdy structure and an ample amount of stones ensure pleasantly even steam distribution. The NC 20 uses the largest quantity of stones in its size class!

Narvi NC	16	20	20 water tank	24
Room size	8–16 m ³	8–20 m ³	8–20 m ³	10–24 m ³
Height	78 cm	80 cm	74 cm	82 cm
Width	50 cm	54 cm	60 cm	58 cm
Depth	58 cm	58 cm	58 cm	58 cm
Total weight	122 kg	136 kg	130 kg	162 kg
Amount of stones (Ø 10–15 cm)	50 kg	60 kg	50 kg	80 kg
Casing	Painted graphite grey or stainless steel	Painted graphite grey or stainless steel	Painted graphite grey	Painted graphite grey



Created with Narvi 3D-sauna planner



Narvi Stony

Top functionality!

The Narvi Stony is a product made in Finland and awarded the keyflag symbol. The heater is environmentally friendly and creates a good atmosphere.

The Stony's steam recalls the moist steam of a smoke sauna or stone heater. The large quantity of stones means that there is enough steam for a prolonged sauna experience.

The sauna heater is available with a casing painted black or made of stainless steel. Wooden handles improve user convenience; the double bottom facilitates installation.

Narvi Stony 20

Room size	8–20 m ³
Height	81 cm
Width	52 cm
Depth	55 cm
Total weight	280 kg
Amount of stones (Ø 5–10 cm)	60 kg
Amount of stones (Ø 10–15 cm)	150 kg
Casing	Painted black or stainless steel



- » The massive 10 mm thick firebox cover makes the heater safe and prolongs its service time.
- » Wooden handles are pleasantly cool during use.
- » Adjustable legs simplify installation.
- » The Stony heater is also available as a tunnel model.

Narvi Velvet

Our flagship!

The Scandinavian design of the Narvi Velvet fits well in both modern and traditional saunas. The large amount of stones offers sustained and enjoyable steam for frequent sauna users.

This sauna heater is provided with a double casing that simplifies the stacking of stones. The glazed hatch helps keeping the flames even. At the same time a cosy atmosphere is created in the sauna room. Wooden handles improve user convenience.

The Narvi Velvet is a top-class sauna heater which lasts for generations. Thanks to a replaceable furnace, this sauna heater is a durable and ecological choice. The double bottom of the sauna heater prevents heat transference to the floor of the room, which makes it possible to install the sauna heater without a protective base in certain conditions (see the user manual of the sauna heater).



- » Thanks to a replaceable central part, the sauna heater will last for generations.
- » The beautiful hand-made casing of the Velvet is made of painted steel.
- » Provided with a glazed door on a cast-iron frame with a wooden handle and adjustable legs.



Narvi Velvet

Room size	8–20 m ³
Height	78 cm
Width	54 cm
Depth	58 cm
Total weight	249 kg
Amount of stones	160 kg
Casing	Painted black



Steam Master

Versatile

The stylishly designed Steam Master is an excellent choice to create a genuine sauna experience. The Narvi's heating cover and efficient air circulation ensure good steam. Its enamelled steel casing is stylish, durable and easy to keep clean. The sauna heater is CE marked and has been tested in Finland.

The heater has a heating casing which accumulates heat efficiently within the large stone space which does not dry the sauna air. The heater heats up to a temperature suitable for enjoying the sauna in just 1–1,5 hours. The glass door allows enjoyment of the play of flames while sitting in the sauna.



Narvi Steam Master

Room size	10–25 m ³
Height	100 cm
Width	47 cm
Depth	52 cm
Total weight	216 kg
Amount of stones (Ø 10–15 cm)	100 kg
Casing	Enamelled, black

- The heating casing and efficient air circulation ensure good steam.
- The heater has a heating casing which accumulates heat efficiently within the large stone space and does not dry the sauna air.
- The enamel coating is extremely durable and easily maintainable.
- The amount of stones used on the heater, 100 kg, is hard to top!

Narvi 30/50

For extreme conditions

This top-quality Narvi heater generates good steam in larger saunas. The steam experience is enhanced by a cast iron glazed door through which to admire flames. The massive external casing is made of stylish black-painted steel.

The heater is available in two models: The Narvi 30 for smaller saunas and the Narvi 50 for larger saunas. Both sizes are also available as a tunnel-model, which is heated from outside of the sauna room.



- » As the door aperture is so large, it is easy to add logs.
- » The heater generates good steam for larger sauna rooms.
- » The cast iron glass door showcases cosy flames and adds to the sauna experience.
- » The massive external casing is made of a stylish black-painted steel sheet.
- » Thanks to its durable structure it is also ideal for use in public saunas.

Narvi	30	50
Room size	25–35 m ³	45–70 m ³
Height	97 cm	110 cm
Width	54 cm	67 cm
Depth	67 cm	85 cm
Total weight	215 kg	375 kg
Amount of stones (Ø 10–15 cm)	60 kg	100 kg
Casing	Painted steel	Painted steel

Tunnel-model heaters



Narvi Stony ST

p. 8



Steam Master

p. 10



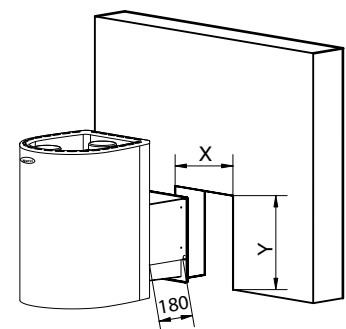
Narvi 30/50

p. 11

Warming up the heater from an other room is a good choice if you wish the sauna room to serve solely as a place for enjoying the pleasure of the sauna.

The table presents the correct measurements of the partition wall aperture. The partition wall must be made of non-flammable material.

Y mm	X mm	Model
570	390	30
590	390	50
480	385	Steam Master
400	280	Stony 20





Warming up the sauna – the correct way!



- » To achieve the best possible sauna experience, choose a heater with enough of stones and weight. This guarantees a softer steam.
- » The wood should be clean and dry, genuine tree such as birch. Do not burn trash in the sauna!
- » Light the fire from the top of the wood, burning downward.
- » A few logs every now and then is enough to maintain the heat.
- » The ashbox door should be left ajar.
- » Remember, the fire should burn calmly.
- » We recommend the 10-15 cm olivine diabase stones for wood-burning heaters, and the 5-10 cm stones for electrical heaters (not Velvet electric or Steam Ready). More information can be found in the user manuals.
- » Check out our new videos! Learn how to load the stones. www.narvi.fi/en

Electrical sauna heaters



Narvi Slim p. 15



Narvi Velvet Electric p. 16



Narvi NC Electric p. 17



Narvi Softy p. 18



Narvi Stonet p. 19



Narvi NM p. 20



Steam Ready p. 21



Narvi Slim

Designed for opportunities

The appearance of the Narvi Slim heater offers new possibilities for installation in the sauna. Slim stands on a separate high base, or it can be sunk into the sauna bench or installed in a narrower room. The wide shape of the heater spreads steam evenly. Thanks to its unique design the heater also fits well in a smaller sauna. The length of the control unit cable is 3 meters.



- The durable outer casing has a matte surface.
- The heater set includes a separate control unit.
- A bench collar and high base are available as accessories.



Slim	6 kW / 9 kW
Room size	5–8 m ³ / 8–14 m ³
Height	70 cm
Width	62 cm
Depth	24 cm
Total weight	47 kg
Amount of stones (Ø 5–10 cm)	30 kg
Casing	Painted black or white



Velvet Electric

Highest quality!

The eye-catching Narvi Velvet is also available as an electric sauna heater with three different power ratings. Thanks to an offered standard separate control unit, it is easy to switch on the sauna heater and to adjust the temperature to the desired setting. This heater also has an optional installation flange available.

The sauna heater is provided with a double casing that simplifies the stacking of stones. The large volume of the stones ensures long-lasting and pleasant sauna bath. The Velvet Electric is for a sauna enthusiast who values ultimate quality!

- The high-quality sauna heater is made of black steel with a matte finish.
- Thanks to the grid, the stones are displayed in an eye-catching way.
- The heater is available with three power ratings: 6,8 kW, 9,0 kW and 10,5 kW.



Velvet Electric	6,8 / 9,0 / 10,5 kW
Room size	5-8 / 8-14 / 10-18 m³
Height	115,7 cm
Diameter	35,2 cm
Total weight	161 kg
Amount of stones (Ø 5-10 cm)	140 kg
Casing	Painted black, matte



Make the Velvet Electric fit your sauna perfectly, by using the optional installation flange

Narvi NC Electric

Minimalistic beauty

The Narvi NC is a stylishly elegant, quality electric sauna heater. This easy-to-operate heater produces nice steam and heats quickly to the desired temperature.

The heater is available in white or black colors, as well as stainless steel. The set includes a separate control unit that can be installed in a sauna room or outside. The length of the control unit cable is 3 meters.



- » The small safety clearances enable stylish installation of the heater in a platform recess.
- » The control unit is used for adjusting the heater operation duration and temperature.
- » The heater is available with two power ratings: 6 kW and 9 kW.



NC Electric	6 kW / 9 kW
Room size	4–9 m ³ / 9–15 m ³
Height	52 cm
Width	44 cm
Depth	32 cm
Total weight	40 kg
Amount of stones (Ø 5–10 cm)	30 kg
Casing	Painted black or white, or a stainless steel finish



Softy

Stylish tower heater

The Softy is a stylish tower-model electric sauna heater that combines good steaming properties with innovative design. The design of the heater ensures sustained, silken steam as the water evenly flows down the heater stones.

The large amount of stones preserves the heat longer while the electronic thermostat holds the temperature at the desired level. The lower part of the heater is made from stainless steel and the stone basket is made from chrome steel.

The set includes a separate control unit, which facilitates adjustment of the temperature, timer and operation times. The length of the control unit cable is 3 meters.

- The heater is available with three power ratings: 6,8 kW, 9 kW and 10,5 kW.
- The large quantity of stones amasses heat well and keeps the sauna room temperature at the desired level for a long time.
- An installation flange for stylish finish is available for this heater.

Narvi Softy	6 kW / 9 kW / 10,5 kW
Room size	5–8 m ³ / 8–14 m ³ / 10–18 m ³
Height	121 cm
Diameter	35 cm
Total weight	135 kg
Amount of stones (Ø 5–10 cm)	120 kg
Casing	stainless steel, chrome steel



Softy installation flange



Stonet

Effective space

The elegant Narvi Stonet is ideal for modern saunas. Stones distributed over a large surface create a massive steam area to enjoy moist, silken steam. Thanks to low safety clearances this sauna heater also fits excellently in small sauna rooms.

The heater comes complete with a control unit that can be installed in the sauna room or an ancillary room. The length of the supply cable of the control unit is 3 meters. An electronic thermostat enables adjustment of the sauna temperature within an accuracy of one degree.

- » It also fits into smaller sauna room with a corner installation frame available.
- » The sauna temperature can be adjusted within an accuracy of one degree.
- » The outer casing is made of stainless steel.



The sauna heater can be provided with a stylish corner installation frame.

Narvi Stonet	6 kW / 9 kW
Room size	5–8 m³ / 8–14 m³
Height	88 cm
Width	43 cm
Depth	31 cm
Total weight	80 kg
Amount of stones (Ø 5–10 cm)	60 kg
Casing	Stainless steel



Narvi NM

Uncompromising entry-level heater

The Narvi NM is an easy-to-use and durable conventional heater. It is made of top-quality materials and ample stone space allows good steam generation.

The heater is available with two power ratings: 6 kW and 9 kW. Colour shades: grey, stainless steel and black.



Narvi NM	6 kW / 9 kW
Room size	6–9 m ³ / 9–15 m ³
Height	58 cm
Width	43 cm
Depth	28 cm
Total weight	40 kg
Amount of stones (Ø 5–10 cm)	30 kg
Casing	Painted black or grey, or stainless steel finish

- » An easy-to-use and durable conventional heater.
- » Large amount of stones produces good and enjoyable sauna bathing.
- » The heater is available with two power ratings: 6 kW ja 9 kW. Ask for the 4,5 kW model!



Created with Narvi 3D-sauna planner

Steam Ready

Let's go to the sauna!

Narvi Steam Ready sauna heaters are modern both in design and technology. The accumulating Steam Ready heater is very economical thanks to thermal insulation. The heater offers a rich and luscious steam experience. The Steam Ready sauna heater suits families who want to enjoy the sauna without planning their sauna time far in advance.

The heater's separate control unit makes it easy to adjust the temperature of the heater. The unit may be installed in the sauna or in the dressing room. The length of the supply cable of the control unit is 10 meters.

The heater uses large cut stones with a diameter of 10–15 cm. The heater is available with two power ratings: 6 kW and 9 kW.



- » Ready to go to the sauna in just a few minutes!
- » The adjustable legs make the heater easy to install on a slope.
- » LED-lamps at the front side behind a glass panel always turn on when the heater is switched on.

Steam Ready	6 kW / 9 kW
Room size	5–9 m ³ / 10–14 m ³
Height	82 cm
Width	50 cm
Depth	60 cm
Total weight	118 kg
Amount of stones (Ø 10–15 cm)	80 kg
Casing	Stainless steel

Ultra & Ultra Big

Bigger heaters for commercial use

The Narvi Ultra and Ultra Big are intended to be used in large saunas and tolerate more frequent use. These heaters provide excellent steam for larger companies too. The heater is fabricated from rust- and wear-proof stainless steel.

These Narvi Ultra heaters are available with four power ratings: 9 kW, 10,5 kW, 12 kW and 15 kW. Likewise, the Narvi Ultra Big heaters are available with four power ratings: 18 kW, 24 kW, 30 kW and 33 kW.

- » The Ultra Big warms up very big sauna rooms, up to 66 m³.
- » The Ultra and Ultra Big heaters tolerate more frequent use.
- » A versatile selection of models with different power ratings.

Dimensions

	Ultra	Ultra Big
Height	66 cm	67 cm
Width	44 cm	86 cm
Depth	49 cm	50 cm
Total weight	71 kg	177 kg
Amount of stones (Ø 5–10 cm)	50 kg	120 kg
Casing	Stainless steel	Stainless steel

Safety clearances between combustible materials and objects

	Ultra 9 kW, 10,5 kW	Ultra 12 kW, 15 kW	Ultra Big 18 kW, 24 kW	Ultra Big 30 kW, 33 kW
All sides	120 mm	160 mm	160 mm	200 mm
Top	1 400 mm	1 400 mm	1 400 mm	1 500 mm





Control units facilitate everyday use

Heaters are operated by versatile, separate control units. They are used to time daily and weekly functions. A separate thermostat helps keep the right temperature.

Technical specification: Ultra

Power	9 kW	10,5 kW	12 kW	15 kW
Room size	8–12 m³	9–15 m³	10–18 m³	14–24 m³

Technical specification: Ultra Big

Power	18 kW	24 kW	30 kW	33 kW
Room size	18–30 m³	27–40 m³	40–56 m³	46–66 m³

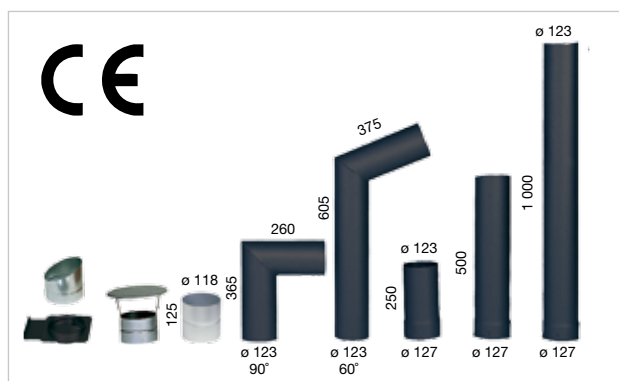
Parts & accessories



Kota's additional parts and accessories are compatible with Narvi heaters.

Connective pipes

The connective flues are made of 2.0 mm steel sheet and painted with heat-resistant paint. A versatile selection of Kota connective flues allows installation of heaters and furnaces in the most complicated structures. **See details and measurements: www.narvi.fi**



Cauldrons

Kota cauldrons allow for heating large quantities of water. Thanks to fire-resistant vermiculite insulation, heated water remains warm up to 24 h. The inner boiler is made of wear-proof stainless steel and can be easily removed for cleaning. Cauldrons are available in 50 and 80 litre sizes.



Water tanks

Kota water tank 15 takes just a little space above the sauna stones. It is of the same size than the Kota 15 flue, and needs to be installed with it. Available as stainless steel and painted black. The Kota water tank is connected with the connective flue of the heater so that water is heated as the heater burns. The tank can be turned to the right or left side of the heater. The volume of the tank is 30 litres and is made of stainless steel.



Stonecage

The stonecage makes use of the warmth of the connective flue. Also, the steam is more enduring as the steam water runs from the stones down to the actual heater. Stonecage may also be stacked, thus adding more style to the sauna. Stonecage is available painted in black and in stainless steel.



Protective solutions

Narvi offers installation-ready solutions for safe reduction of safety clearances of different furnaces. The protective walls also help to avoid water spray on the wooden wall and between the logs. The protective walls are made of stylish brushed chromed stainless steel. Ready-made protection finalizes the whole installation.

The protective walls help to save space and offer more possibilities for placing the sauna heater in the most suitable location. Walls are available in one and two tiers. Single protective walls are available in two different sizes and make it possible to reduce the safety clearance of furnaces by a max 50%. Double protective walls are available in three different models, which can be united in one system, if necessary. Double protective walls help to reduce the safety clearance by a max 75%.

By using an **installation base** the sauna heater can also be installed in a sauna with a wooden floor or boards under which there is floor heating or water insulation. If the floor of the room is inclined, the sauna heater can be levelled by means of adjusting the legs of the base. The installation base is made of stainless steel. The size of the installation base should match the size of the sauna heater. The installation bases are available in five different models.

Our product range of protective solutions also includes **ceiling protection, front sheet steel** and **smoke flue protection**. More detailed information about protective solutions can be found in the table below.



Dimensions (cm)

921126	Protective wall 1, single	65 x 3 x 115
921125	Protective wall 2, single	75 x 3 x 115
804001	Protective wall 1, double	76 x 3,7 x 123
804002	Protective wall 2, double	65 x 3,7 x 123
804003	Protective wall 3, double	59 x 3,7 x 70/123
921122	Frontplate, rst	55 x 45

921123	Chimney protection, rst	Ø 25 x 50
921124	Roof protection, rst	65 x 65
921117	Installation base, rst	55 x 62
921121	Installation base, rst	60 x 75
921119	Installation base (VS), rst	55 x 75
802136	Installation base (octagon), rst	60 x 60

Sauna stones

Durable and traditional Kota sauna stones are available in 5–10 cm and 10–15 cm sizes and 20 kg packages. Rounded Kota sauna stones are 5–10 cm and available in a 15 kg package. White Kota heater stones, intended to be used as surface stones, are suitable for all electrical and continuous burning heaters. One crate contains 10 kg of white sauna stones.



Technical specification: Wood-burning sauna heaters

Distances of the connective flue:

	NC I6-20	NC 24	NC 20 VS	Stony	Velvet	Steam Master	30	50
Outer diameter of the connective flue	119 mm	119 mm	119 mm	119 mm	119 mm	119 mm	119 mm	145 mm
Distance of the bottom edge of the connective flue from the floor	58 cm	62 cm	54 cm	61,5 cm	60 cm	78 cm	71 cm	174 cm

) The connection is made from the top of the sauna heater. A 60° connection pipe is included.

Safety distances from flammable objects:

	NC	Stony / Velvet	Steam Master	Narvi 30	Narvi 50
Side	150 mm	150 mm	250 mm	350 mm	500 mm
Front	500 mm	500 mm	500 mm	500 mm	1 000 mm
Up	1 250 mm	1 220 mm	1 100 mm	1 250 mm	1 250 mm
Rear	150 mm	200 mm	250 mm	350 mm	500 mm

Technical specification: Electric sauna heaters

Electrical specifications:

	All 6 kW heaters	All 9 kW and 10,5 kW heaters
Fuse	3 x 10 A	3 x 16 A
Electricity supply at 400V 3N mm2	5 x 1,5	5 x 2,5

Safety distances from flammable objects:

	NM 6 kW / 9 kW	NC	Stonet 6 kW	Stonet 9 kW	Slim
Side	50 mm / 100 mm	50 mm	30 mm	50 mm	60 mm
Front	80 mm / 100 mm	20 mm	250 mm	250 mm	60 mm
Up	1 150 mm	1 150 mm	1 000 mm	1 000 mm	1200 mm
Rear	30 mm	30 mm	30 mm	30 mm	60 mm
To floor	120 mm	120 mm	30 mm	30 mm	30mm

	Softy 6,8 kW / 9 kW	Softy 10,5 kW	Steam Ready	Velvet Electric 6,8 kW / 9 kW	Velvet Electric 10,5 kW
Side	120 mm	150 mm	50 mm	120 mm	150 mm
Front	120 mm	150 mm	20 mm	120 mm	150 mm
Up	700 mm	850 mm	1 000 mm	750 mm	950 mm
Rear	120 mm	150 mm	50 mm	120 mm	150 mm
To floor	30 mm	30 mm	30 mm	30 mm	30 mm

We recommend using in wood-burning sauna heaters Ø 10-15 cm olive dolerite stones and in electric sauna heaters Ø 5-10 cm olive dolerite stones (except for Steam Ready and Velvet). Detailed heater-based recommendations can be found in installation and user manuals.

Kota Steel flue I5 & 24

Everything in one package!

The **Kota Steel flue** is a high-quality, safe smoke flue for sauna heaters and other furnaces. The delivery kit also includes a safe installation-ready solution for feeding the smoke flue through the roof and attic floor. A valve is also included.

The length of the insulated section of the **Kota Steel flue 15** smoke flue (Ø 125 mm) is 1 500 mm and this includes all parts needed for installation. The basic package is about 2 500 mm without extensions. Extension sections available for the smoke flue: 300 mm and 600 mm.

The length of the insulated section of the **Kota Steel flue 24** smoke flue (Ø 150 mm) is 2 400 mm and this includes all parts needed for installation. The basic package is about 2 530 mm without extensions. Extension sections available for the smoke flue: 600 mm and 1 200 mm.

- » The delivery kit of Steel flue smoke flues contains everything needed for installing and connecting a smoke flue.
- » The external casing of the smoke flue is made of zinc-coated steel finished with black heat-resistant paint and the inner tube is made of stainless steel.

- The safe Kota Steel flue is provided with
- » CE-marking confirming that the flue fulfils the requirements of fire safety class T600.

	Steel flue I5	Steel flue 24
Diameter (Ø)	125 mm	150 mm
Extension has insulation	30 cm / 60 cm	60 cm / 120 cm
Connection pipes, not insulated	100 cm	13 cm

- » 22 litres of water can be filled in the Kota water tank I5. It is only suitable with the Kota I5 steel flue.





Design your own sauna!



Choose the right heater:

kiuasvalitsin.fi



Get inspired by the sauna designer!
Examples found in this catalogue.

narvi.fi



Narvi heaters provide a versatile and high-quality selection of wood-burning and electric sauna heaters for pleasant everyday sauna bathing. All sauna heaters are designed and made in Finland.

NARVI Oy

Yrittäjätie 14, FI-27230 Lappi
tel. +358-207 416740
www.narvi.fi



Made by **NARVI** Finland